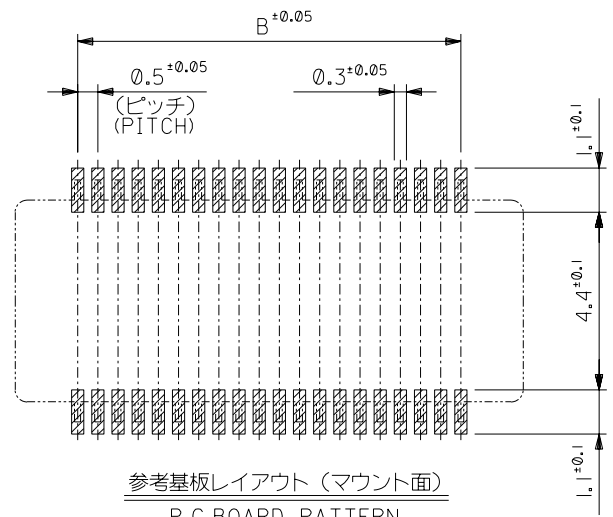
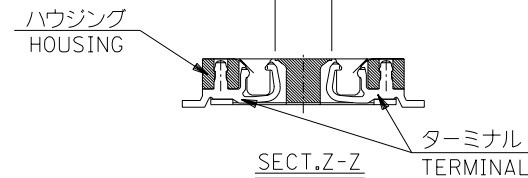
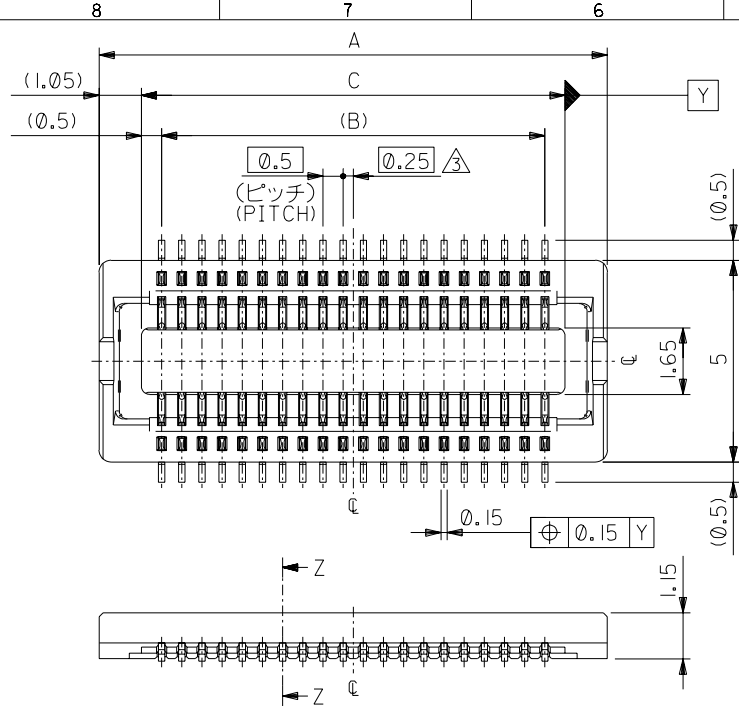


DWG. NO. SD-54722-007



参考基板レイアウト (マウント面)  
P.C.BOARD PATTERN  
DIMENSION. (REF.)  
(MOUNTING AREA)

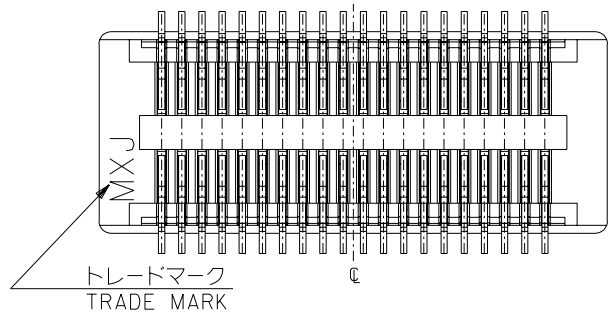
30極以下品形状  
SHAPE OF 30 CIRCUITS OR LESS

注記 NOTES:

- 使用材料 MATERIAL  
ハウジング: 液晶ポリマー ガラス充填, UL94V-0 (黒)  
HOUSING: LIQUID CRYSTAL POLYMER (GLASS FILLED)  
UL94V-0, (COLOR: BLACK)  
ターミナル: リン青銅 (t=0.15)  
TERMINAL: PHOSPHOR BRONZE (t=0.15)
- メッキ仕様 PLATING  
金メッキ 0.25 MICROMETER MINIMUM (コンタクト部)  
GOLD 0.25 MICROMETER MINIMUM. (CONTACT AREA)  
金メッキ 0.4 MICROMETER MAXIMUM (テール部)  
GOLD 0.4 MICROMETER MAXIMUM. (TAIL AREA)  
下地メッキ: ニッケルメッキ 1.5 MICROMETER MINIMUM  
UNDER PLATING: NICKEL 1.5 MICROMETER MINIMUM

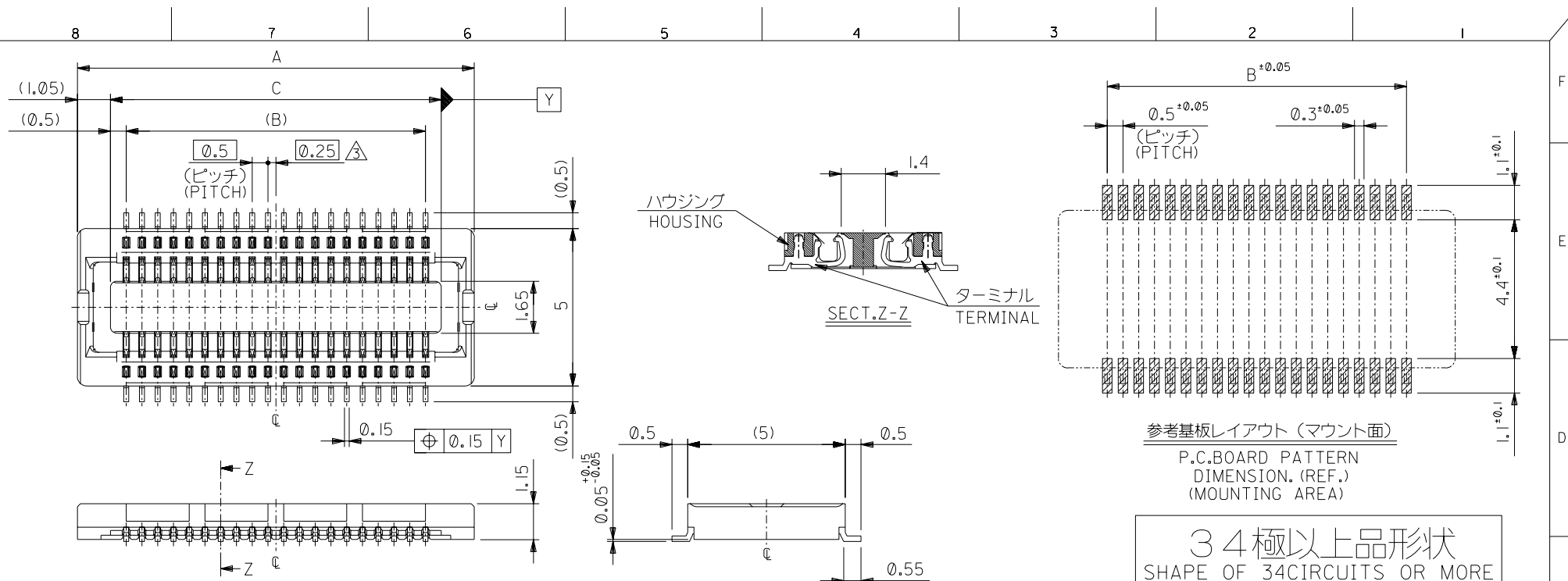
- △3 (全極数/2) = 偶数の場合に適用。  
APPLY FOR (CIRCUIT/2)=EVEN.  
4 嵌合相手: 55560 シリーズ, 53794 シリーズ  
MATE WITH: 55560 SERIES, 53794 SERIES.  
5 テール平坦度は, 0.1 MAXIMUM.  
TAIL COPLANARITY TO BE 0.1 MAXIMUM.

8.0	7.0	10.1	54722-0301	30
6.5	5.5	8.6	54722-0241	24
6.0	5.0	8.1	54722-0221	22
5.5	4.5	7.6	54722-0201	20
4.5	3.5	6.6	54722-0161	16
C	B	A	MATERIAL. NO	極数 CIRCUIT



DO NOT SCALE DRAWING

②64NO. DRAWN: CH'K: APPR:	②63NO. DRAWN: CH'K: APPR:	REVISED	②61NO. J2003-1929 DRAWN: T.YASUI '03/1/23 CH'K: T.IITO APPR: T.IITO	②60NO. J2003-1468 DRAWN: T.YASUI '02/11/25 CH'K: T.IITO APPR: T.YAMAGUCHI	MATERIAL 材料	注記参照 SEE NOTES	GENERAL TOLERANCES: (UNLESS SPECIFIED) 一般公差	SCALE 1/1 DESIGN UNITS <input checked="" type="checkbox"/> mm <input type="checkbox"/> INCH	②28° PROJECTION	DIMENSIONS: <input type="checkbox"/> mm <input type="checkbox"/> INCH <input checked="" type="checkbox"/> mm ONLY	SHT 2 REV 2 REVISE ON CAD ONLY	
		②62NO. J2003-2517 DRAWN: S.AIHARA '03/03/31 CH'K: M.SASAO APPR: M.SASAO			WIRE RANGE 適用線径範囲							FINISH 仕上げ
②64NO. DRAWN: CH'K: APPR:		②63NO. DRAWN: CH'K: APPR:		REVISED	②61NO. J2003-1929 DRAWN: T.YASUI '03/1/23 CH'K: T.IITO APPR: T.IITO	②60NO. J2003-1468 DRAWN: T.YASUI '02/11/25 CH'K: T.IITO APPR: T.YAMAGUCHI	MATERIAL 材料 注記参照 SEE NOTES	GENERAL TOLERANCES: (UNLESS SPECIFIED) 一般公差	SCALE 1/1 DESIGN UNITS <input checked="" type="checkbox"/> mm <input type="checkbox"/> INCH	②28° PROJECTION	DIMENSIONS: <input type="checkbox"/> mm <input type="checkbox"/> INCH <input checked="" type="checkbox"/> mm ONLY	SHT 2 REV 2 REVISE ON CAD ONLY
②62NO. J2003-2517 DRAWN: S.AIHARA '03/03/31 CH'K: M.SASAO APPR: M.SASAO		②61NO. J2003-1929 DRAWN: T.YASUI '03/1/23 CH'K: T.IITO APPR: T.IITO		REVISED	②60NO. J2003-1468 DRAWN: T.YASUI '02/11/25 CH'K: T.IITO APPR: T.YAMAGUCHI	MATERIAL 材料 注記参照 SEE NOTES	GENERAL TOLERANCES: (UNLESS SPECIFIED) 一般公差	SCALE 1/1 DESIGN UNITS <input checked="" type="checkbox"/> mm <input type="checkbox"/> INCH	②28° PROJECTION	DIMENSIONS: <input type="checkbox"/> mm <input type="checkbox"/> INCH <input checked="" type="checkbox"/> mm ONLY	SHT 2 REV 2 REVISE ON CAD ONLY	
②64NO. DRAWN: CH'K: APPR:		②63NO. DRAWN: CH'K: APPR:		REVISED	②61NO. J2003-1929 DRAWN: T.YASUI '03/1/23 CH'K: T.IITO APPR: T.IITO	②60NO. J2003-1468 DRAWN: T.YASUI '02/11/25 CH'K: T.IITO APPR: T.YAMAGUCHI	MATERIAL 材料 注記参照 SEE NOTES	GENERAL TOLERANCES: (UNLESS SPECIFIED) 一般公差	SCALE 1/1 DESIGN UNITS <input checked="" type="checkbox"/> mm <input type="checkbox"/> INCH	②28° PROJECTION	DIMENSIONS: <input type="checkbox"/> mm <input type="checkbox"/> INCH <input checked="" type="checkbox"/> mm ONLY	SHT 2 REV 2 REVISE ON CAD ONLY



34極以上品形状  
SHAPE OF 34CIRCUITS OR MORE

注記 NOTES:

1. 使用材料 MATERIAL  
 ハウジング: 液晶ポリマー ガラス充填, UL94V-0 (黒)  
 HOUSING: LIQUID CRYSTAL POLYMER (GLASS FILLED)  
 UL94V-0, (COLOR: BLACK)  
 ターミナル: リン青銅 (t=0.15)  
 TERMINAL: PHOSPHOR BRONZE (t=0.15)
2. メッキ仕様 PLATING  
 金メッキ 0.25 MICROMETER MINIMUM (コンタクト部)  
 GOLD 0.25 MICROMETER MINIMUM. (CONTACT AREA)  
 金メッキ 0.4 MICROMETER MAXIMUM (テール部)  
 GOLD 0.4 MICROMETER MAXIMUM. (TAIL AREA)  
 下地メッキ: ニッケルメッキ 1.5 MICROMETER MINIMUM  
 UNDER PLATING: NICKEL 1.5 MICROMETER MINIMUM

- △ (全極数/2) = 偶数の場合に適用。  
 APPLY FOR (CIRCUIT/2)=EVEN.  
 4 嵌合相手: 55560 シリーズ, 53794 シリーズ  
 MATE WITH: 55560 SERIES, 53794 SERIES.  
 5 テール平坦度は、0.1 MAXIMUM.  
 TAIL COPLANARITY TO BE 0.1 MAXIMUM.

20.5	19.5	22.6	54722-0801	80
15.5	14.5	17.6	54722-0601	60
13.0	12.0	15.1	54722-0501	50
12.0	11.0	14.1	54722-0461	46
10.5	9.5	12.6	54722-0401	40
9.0	8.0	11.1	54722-0341	34
C	B	A	MATERIAL. NO	極数 CIRCUIT

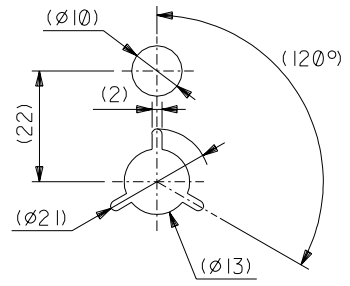
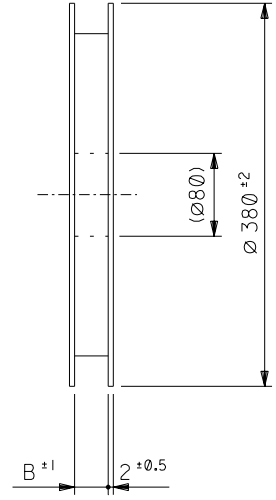
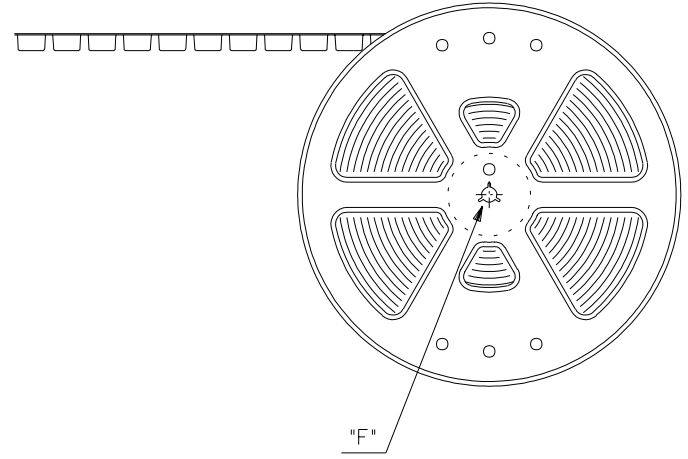
DO NOT SCALE DRAWING

64 NO. DRWN: CH'K: APPR: 63 NO. DRWN: CH'K: APPR: 62 NO. DRWN: CH'K: APPR: 61 NO. DRWN: CH'K: APPR:	REVISED 60 NO. J2003-2517 DRWN: S.AIHARA '02/03/31 CH'K: M.SASAO APPR: M.SASAO	MATERIAL 材料 注記参照 SEE NOTES	GENERAL TOLERANCES: (UNLESS SPECIFIED) 一般公差		SCALE --// DESIGN UNITS <input checked="" type="checkbox"/> mm <input type="checkbox"/> INCH	DIMENSIONS: <input type="checkbox"/> mm <input type="checkbox"/> INCH <input checked="" type="checkbox"/> mm ONLY	SHT REVISE ON CAD ONLY	TITLE: 0.5 B-To-B Conn Rec HOUSING Assy (Hgt=1.5mm)
			FINISH 仕上げ	WIRE RANGE 適用層線範囲				

THIS DRAWING CONTAINS INFORMATION THAT IS PROPRIETARY TO MOLEX INCORPORATED AND SHOULD NOT BE USED WITHOUT WRITTEN PERMISSION.

DWG. NO. SD-54722-008

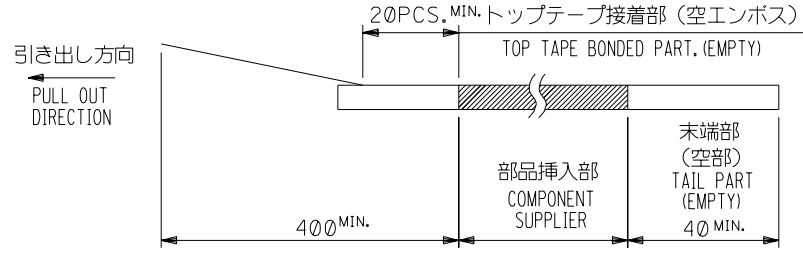
引き出し方向  
PULL OUT DIRECTION



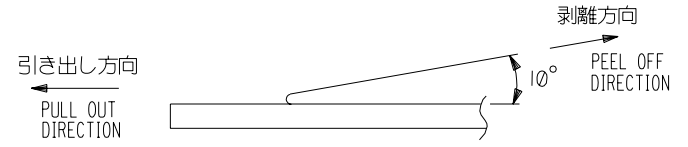
DETAIL "F"

注記 NOTES

- 製品詳細寸法については図面 SD-54722-007 を参照下さい。  
RE DETAILED DIMENSION, SEE SD-54722-007
- 梱包数量：3000個/リール  
NUMBER OF CONNECTORS : 3000PCS/REEL
- リードテープ長さ LEAD TAPE LENGTH



- トップテープの剥離強度：0.1N ~ 0.7N(10.2gf ~ 71.4gf)  
(剥離方向は下図参照)  
尚、本規格値は出荷時に適用。(但し、輸送時に剥離が発生しないこと。)  
PEELING OFF FORCE OF TOP TAPE : 0.1N ~ 0.7N(10.2gf ~ 71.4gf)  
(PEELING DIRECTION AS SHOWN IN FOLLOWING FIG.)  
THIS REQUIREMENT SHOULD BE APPLIED AT SHIPMENT.  
PEEL OFF SHOULD NOT BE ALLOWED , DURING TRANSPORTATION.



- 材料  
キャリアテープ：ポリプロピレン (PP)  
トップテープ：PET, PE, PEF  
リール：ポリスチレン (PS) <リサイクル材を含む>

MATERIAL CARRIER TAPE:POLYPROPYLENE  
TOP TAPE:PET,PE,PEF  
REEL:POLYSTYRENE(PS)  
<RECYCLE MATERIAL CONTAINED>

DO NOT SCALE DRAWING

EC NO. DRAWN: CHK'g: APPR:	REVISED EC NO. J2004-1680 DRAWN: K.SETO '03/12/22 CHK'g: H.TAKASE APPR: J.MIYAZAWA	REVISED EC NO. J2003-2517 DRAWN: S.AIHARA '03/03/31 CHK'g: M.SASAO APPR: M.SASAO	REVISED EC NO. J2003-1929 DRAWN: T.YASUI '03/11/23 CHK'g: T.IIO APPR: T.IIO	REVISED EC NO. J2003-1468 DRAWN: T.YASUI '02/11/25 CHK'g: T.IIO APPR: T.YAMAGUCHI	MATERIAL 材料 注記参照 SEE NOTES	GENERAL TOLERANCES: (UNLESS SPECIFIED) 一般公差	SCALE //	MODEL NO. 54722-***7	DESIGN UNITS <input checked="" type="checkbox"/> mm <input type="checkbox"/> INCH	THIRD ANGLE PROJECTION <input checked="" type="checkbox"/> THIRD ANGLE	DIMENSIONS: <input type="checkbox"/> mm <input type="checkbox"/> INCH <input checked="" type="checkbox"/> mm ONLY	SHT REVISE ON CAD ONLY	REV CAD ONLY
EC NO. DRAWN: CHK'g: APPR:	REVISED EC NO. J2004-1680 DRAWN: K.SETO '03/12/22 CHK'g: H.TAKASE APPR: J.MIYAZAWA	REVISED EC NO. J2003-2517 DRAWN: S.AIHARA '03/03/31 CHK'g: M.SASAO APPR: M.SASAO	REVISED EC NO. J2003-1929 DRAWN: T.YASUI '03/11/23 CHK'g: T.IIO APPR: T.IIO	REVISED EC NO. J2003-1468 DRAWN: T.YASUI '02/11/25 CHK'g: T.IIO APPR: T.YAMAGUCHI	FINISH 仕上げ //	10 UNDER 未満 ±0.2	DRAWN BY & DATE S.AIHARA '00/10/16	TITLE: 0.5 B-To-B Conn Rec Assy (Hgt=1.5) Embstp Pkg	<input checked="" type="checkbox"/> mm <input type="checkbox"/> INCH	<input checked="" type="checkbox"/> THIRD ANGLE	<input type="checkbox"/> mm <input type="checkbox"/> INCH <input checked="" type="checkbox"/> mm ONLY		
EC NO. DRAWN: CHK'g: APPR:	REVISED EC NO. J2003-2517 DRAWN: S.AIHARA '03/03/31 CHK'g: M.SASAO APPR: M.SASAO	REVISED EC NO. J2003-1929 DRAWN: T.YASUI '03/11/23 CHK'g: T.IIO APPR: T.IIO	REVISED EC NO. J2003-1468 DRAWN: T.YASUI '02/11/25 CHK'g: T.IIO APPR: T.YAMAGUCHI	REVISED EC NO. J2003-1468 DRAWN: T.YASUI '02/11/25 CHK'g: T.IIO APPR: T.YAMAGUCHI	WIRE RANGE 適用層線範囲 //	10 OVER 以上 30 UNDER 未満 ±0.25	CHECKED BY & DATE M.SASAO '03/03/31	MATERIAL NO. 54722008.S01	<input checked="" type="checkbox"/> mm <input type="checkbox"/> INCH	<input checked="" type="checkbox"/> THIRD ANGLE	<input type="checkbox"/> mm <input type="checkbox"/> INCH <input checked="" type="checkbox"/> mm ONLY		
EC NO. DRAWN: CHK'g: APPR:	REVISED EC NO. J2003-2517 DRAWN: S.AIHARA '03/03/31 CHK'g: M.SASAO APPR: M.SASAO	REVISED EC NO. J2003-1929 DRAWN: T.YASUI '03/11/23 CHK'g: T.IIO APPR: T.IIO	REVISED EC NO. J2003-1468 DRAWN: T.YASUI '02/11/25 CHK'g: T.IIO APPR: T.YAMAGUCHI	REVISED EC NO. J2003-1468 DRAWN: T.YASUI '02/11/25 CHK'g: T.IIO APPR: T.YAMAGUCHI	INS. RANGE 被覆外径 //	30 OVER 以上 ±0.3	APPROVED BY & DATE M.SASAO '03/03/31	DRAWING NO. SD-54722-008	<input checked="" type="checkbox"/> mm <input type="checkbox"/> INCH	<input checked="" type="checkbox"/> THIRD ANGLE	<input type="checkbox"/> mm <input type="checkbox"/> INCH <input checked="" type="checkbox"/> mm ONLY		
EC NO. DRAWN: CHK'g: APPR:	REVISED EC NO. J2003-2517 DRAWN: S.AIHARA '03/03/31 CHK'g: M.SASAO APPR: M.SASAO	REVISED EC NO. J2003-1929 DRAWN: T.YASUI '03/11/23 CHK'g: T.IIO APPR: T.IIO	REVISED EC NO. J2003-1468 DRAWN: T.YASUI '02/11/25 CHK'g: T.IIO APPR: T.YAMAGUCHI	REVISED EC NO. J2003-1468 DRAWN: T.YASUI '02/11/25 CHK'g: T.IIO APPR: T.YAMAGUCHI		ANGLE 角度 ±3°	CAD FILENAME 54722008.S01	SHEET NO. 1 OF 5	<input checked="" type="checkbox"/> mm <input type="checkbox"/> INCH	<input checked="" type="checkbox"/> THIRD ANGLE	<input type="checkbox"/> mm <input type="checkbox"/> INCH <input checked="" type="checkbox"/> mm ONLY		
THIS DRAWING CONTAINS INFORMATION THAT IS PROPRIETARY TO MOLEX INCORPORATED AND SHOULD NOT BE USED WITHOUT WRITTEN PERMISSION.												SIZE B	

54722008.S01

DWG. NO. SD-54722-008

F

D

V

C

B

DO NOT SCALE DRAWING

8 7 6 5 4 3 2 1

F

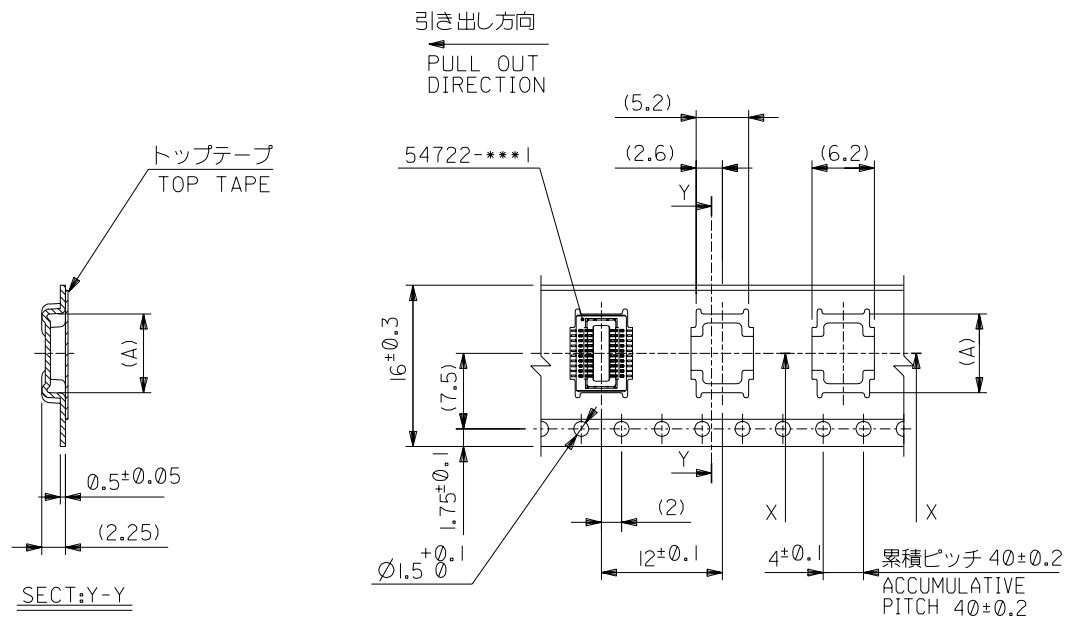
E

D

C

B

A



16mm幅キャリアテープ  
16mm WIDTH CARRIER TAPE

16	17.5	7.8	54722-0207	20
キャリアテープ幅 CARRIER TAPE WIDTH		B	(A)	極数 CIRCUIT
MODEL NO.		54722-***7		DIMENSIONS: <input type="checkbox"/> mm <input type="checkbox"/> INCH <input checked="" type="checkbox"/> mm ONLY
				SHT REV REVISE ON CAD ONLY

EC NO. DRAWN: CHK'g: APPR:	REVISED EC NO. J2004-1680 DRAWN: K.SETO '03/12/22 CHK'g: H.TAKASE APPR: J.MIYAZAWA	REVISED EC NO. J2003-2517 DRAWN: S.AIHARA '03/03/31 CHK'g: M.SASAO APPR: M.SASAO	REVISED EC NO. J2003-1929 DRAWN: T.YASUI '03/11/23 CHK'g: T.IITO APPR: T.IITO	REVISED EC NO. J2003-1468 DRAWN: T.YASUI '02/11/25 CHK'g: T.IITO APPR: T.YAMAGUCHI
H	G	F	E	

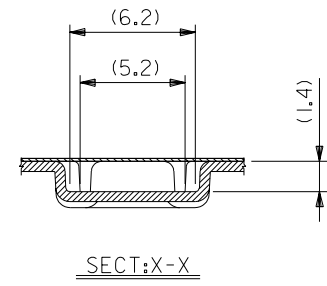
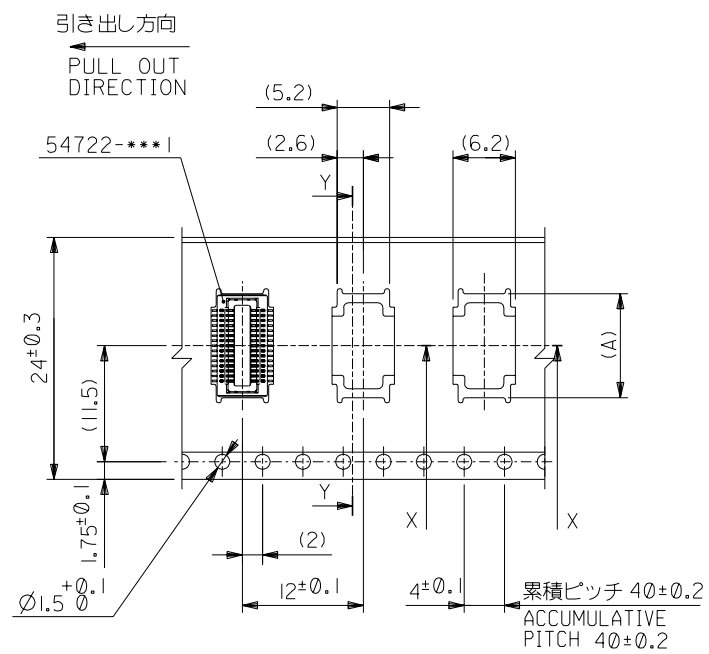
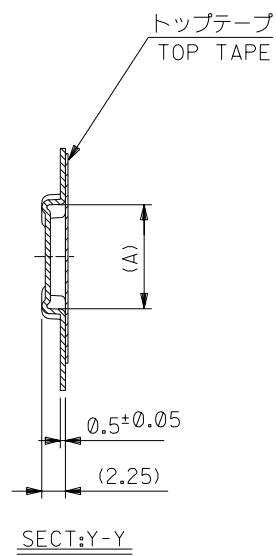
MATERIAL 材料	SHEET 1 OF 5 参照 REFER TO SHEET 1 OF 5		
FINISH 仕上げ	//		
WIRE RANGE 適用層線範囲	//		
INS. RANGE 被覆外径	//		

GENERAL TOLERANCES: (UNLESS SPECIFIED) 一般公差	SCALE //	DESIGN UNITS <input checked="" type="checkbox"/> mm <input type="checkbox"/> INCH	THIRD ANGLE PROJECTION <input checked="" type="checkbox"/> THIRD ANGLE <input type="checkbox"/> FIRST ANGLE
10 UNDER 未満	±0.2	DRAWN BY & DATE S.AIHARA '00/10/ 6	
10 OVER 以上	±0.25	CHECKED BY & DATE M.SASAO '03/03/31	
30 OVER 以上	±0.3	APPROVED BY & DATE M.SASAO '03/03/31	
ANGLE 角度	±3°	CAD FILENAME 54722008.S02	

TITLE: 0.5 B-To-B Conn Rec Assy (Hgt=1.5) Embstp Pkg			
MOLEX INCORPORATED		MATERIAL NO. DRAWING NO.	
		SD-54722-008	
THIS DRAWING CONTAINS INFORMATION THAT IS PROPRIETARY TO MOLEX INCORPORATED AND SHOULD NOT BE USED WITHOUT WRITTEN PERMISSION.		SHEET NO. 2 OF 5	
		SIZE B	

8 7 6 5 4 3 2 1 EN-02J(097) MXJ-54

8 7 6 5 4 3 2 1



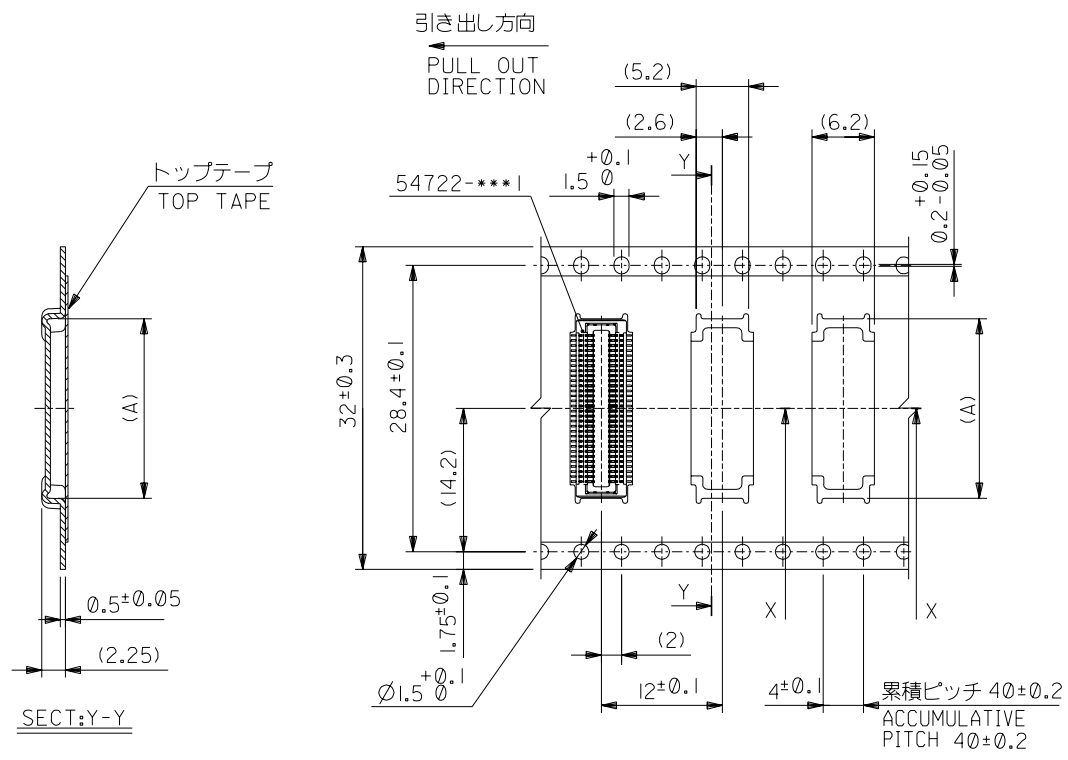
24mm幅キャリアテープ  
24mm WIDTH CARRIER TAPE

24	25.5	15.3	54722-0507	50	
		14.3	54722-0467	46	
		12.8	54722-0407	40	
		11.3	54722-0347	34	
		10.3	54722-0307	30	
		8.8	54722-0247	24	
		8.3	54722-0227	22	
キャリアテープ幅 CARRIER TAPE WIDTH		B	(A)	MATERIAL NO.	極数 CIRCUIT
MODEL NO.		54722-***7		DIMENSIONS: <input type="checkbox"/> mm <input type="checkbox"/> INCH <input checked="" type="checkbox"/> mm ONLY	
				SHT	REV

EC NO.	REVISED	SHEET 1 OF 5 参照 REFER TO SHEET 1 OF 5	
DRWN: K.SETO '03/12/22	EC NO. J2004-1680	FINISH 仕上げ	//
CHK: H.TAKASE	DRWN: S.AIHARA '03/03/31	WIRE RANGE 適用層線範囲	//
APPR: J.MIYAZAWA	CHK: M.SASAO	INS. RANGE 被覆外径	//
	APPR: M.SASAO		
	REVISED		
	EC NO. J2003-1929		
	DRWN: T.YASUI '03/11/23		
	CHK: T.IIO		
	APPR: T.IIO		
	REVISED		
	EC NO. J2003-1468		
	DRWN: T.YASUI '02/11/25		
	CHK: T.IIO		
	APPR: T.YAMAGUCHI		
REV	DESCRIPTION		

GENERAL TOLERANCES: (UNLESS SPECIFIED) 一般公差		SCALE	DESIGN UNITS	THIRD ANGLE PROJECTION	TITLE:
10 UNDER 未満	±0.2	///	<input checked="" type="checkbox"/> mm <input type="checkbox"/> INCH	<input checked="" type="checkbox"/> THIRD ANGLE PROJECTION	0.5 B-To-B Conn Rec Assy (Hgt=1.5) Embstp Pkg
10 OVER 以上 30 UNDER 未満	±0.25				
30 OVER 以上	±0.3				
ANGLE 角度	±3°				
DRAWN BY & DATE		APPROVED BY & DATE		MATERIAL NO.	
S.AIHARA '00/10/ 6		M.SASAO '03/03/31		DRAWING NO.	
CHECKED BY & DATE		CAD FILENAME		SHEET NO.	
M.SASAO '03/03/31		54722008.S03		3 OF 5	

DRAWN BY & DATE				TITLE:	
S.AIHARA '00/10/ 6				0.5 B-To-B Conn Rec Assy	
CHECKED BY & DATE				(Hgt=1.5) Embstp Pkg	
M.SASAO '03/03/31					
APPROVED BY & DATE				MOLEX INCORPORATED	
M.SASAO '03/03/31					
CAD FILENAME		MATERIAL NO.		DRAWING NO.	
54722008.S03		SEE CHART		SD-54722-008	
THIS DRAWING CONTAINS INFORMATION THAT IS PROPRIETARY TO MOLEX INCORPORATED AND SHOULD NOT BE USED WITHOUT WRITTEN PERMISSION.				SIZE	
				B	



32mm幅キャリアテープ  
32mm WIDTH CARRIER TAPE

32	33.5	17.8	54722-0607	60
キャリアテープ幅 CARRIER TAPE WIDTH		B	(A)	極数 CIRCUIT
MODEL NO.		54722-***7		DIMENSIONS:
				mm INCH mm ONLY

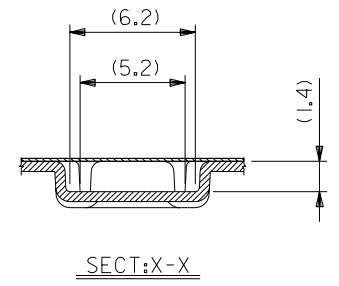
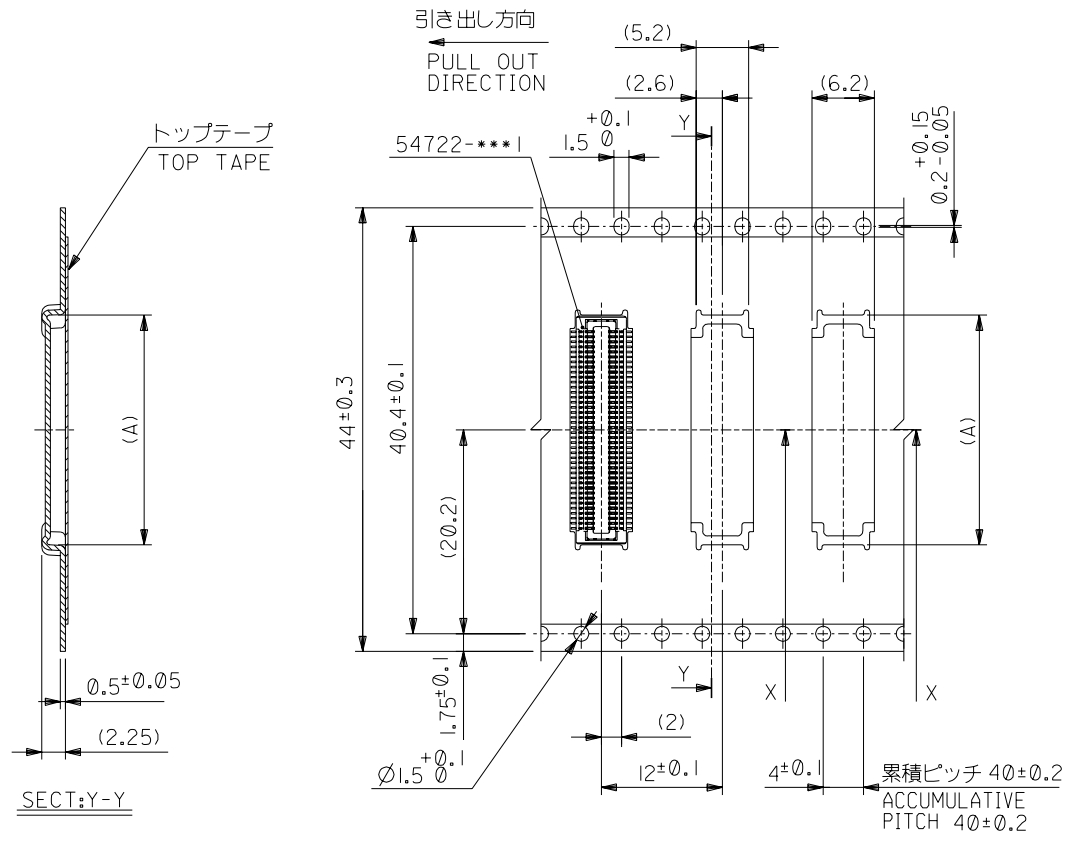
EC NO.	REVISED	EC NO.	REVISED	EC NO.	REVISED	EC NO.	REVISED	EC NO.	REVISED
DRWN: K.SETO	J2004-1680	DRWN: S.AIHARA	J2003-2517	DRWN: T.YASUI	J2003-1929	DRWN: T.YASUI	J2003-1468	DRWN: T.YASUI	J2003-1468
CHK: H.TAKASE	'03/12/22	CHK: M.SASAO	'03/03/31	CHK: T.IITO	'03/11/23	CHK: T.IITO	'02/11/25	CHK: T.IITO	'02/11/25
APPR: J.MIYAZAWA		APPR: M.SASAO		APPR: T.IITO		APPR: T.YAMAGUCHI		APPR: T.YAMAGUCHI	

MATERIAL 材料	SHEET 1 OF 5 参照 REFER TO SHEET 1 OF 5	
FINISH 仕上げ	//	
WIRE RANGE 適用線径範囲	//	
INS. RANGE 被覆外径	//	

GENERAL TOLERANCES: (UNLESS SPECIFIED) 一般公差	SCALE	DESIGN UNITS	THIRD ANGLE PROJECTION
10 UNDER 未満 ±0.2	///	mm INCH	☉
10 OVER 30 UNDER 未満 ±0.25			
30 OVER 以上 ±0.3			
ANGLE 角度 ±3°			

DRAWN BY & DATE T.YASUI '02/11/25	TITLE: 0.5 B-To-B Conn Rec Assy (Hgt=1.5) Embstp Pkg
CHECKED BY & DATE M.SASAO '03/03/31	
APPROVED BY & DATE M.SASAO '03/03/31	MATERIAL NO. DRAWING NO. SHEET NO. SEE CHART SD-54722-008 4 OF 5
CAD FILENAME 54722008.S05	
MATERIAL NO. DRAWING NO. SHEET NO. SEE CHART SD-54722-008 4 OF 5	
THIS DRAWING CONTAINS INFORMATION THAT IS PROPRIETARY TO MOLEX INCORPORATED AND SHOULD NOT BE USED WITHOUT WRITTEN PERMISSION.	
SIZE B	

DWG. NO. SD-54722-008



44mm幅キャリアテープ  
44mm WIDTH CARRIER TAPE

44	45.5	22.8	54722-0807	80
キャリアテープ幅 CARRIER TAPE WIDTH		B	(A)	極数 CIRCUIT
MODEL NO.		54722-***7		DIMENSIONS: <input type="checkbox"/> mm <input type="checkbox"/> INCH <input checked="" type="checkbox"/> mm ONLY
				SHT REV REVISIONS

EC NO.	REVISED	MATERIAL
DRWN: K.SETO '03/12/22	EC NO. J2004-1680	材料
CHK: H.TAKASE	DRWN: S.AIHARA '03/03/31	SHEET 1 OF 5 参照
APPR: J.MIYAZAWA	CHK: M.SASAO	REFER TO SHEET 1 OF 5
	APPR: M.SASAO	
		FINISH
		仕上げ //
		WIRE RANGE
		適用 線径範囲 //
		INS. RANGE
		被覆 外径 //

GENERAL TOLERANCES: (UNLESS SPECIFIED) 一般公差	SCALE	DESIGN UNITS	THIRD ANGLE PROJECTION
10 UNDER 未満 ±0.2	///	<input checked="" type="checkbox"/> mm <input type="checkbox"/> INCH	<input checked="" type="checkbox"/> THIRD ANGLE
10 OVER 以上 30 UNDER 未満 ±0.25			
30 OVER 以上 ±0.3			
ANGLE 角度 ±3°			

DRAWN BY & DATE T.YASUI '02/03/06		TITLE: 0.5 B-To-B Conn Rec Assy (Hgt=1.5) Embstp Pkg	
CHECKED BY & DATE M.SASAO '03/03/31		MATERIAL NO. DRAWING NO. SEE CHART SD-54722-008	
APPROVED BY & DATE M.SASAO '03/03/31		SHEET NO. 5 OF 5	
CAD FILENAME 54722008.S04		MATERIAL NO. DRAWING NO. SEE CHART SD-54722-008	
THIS DRAWING CONTAINS INFORMATION THAT IS PROPRIETARY TO MOLEX INCORPORATED AND SHOULD NOT BE USED WITHOUT WRITTEN PERMISSION.		SIZE B	

DO NOT SCALE DRAWING